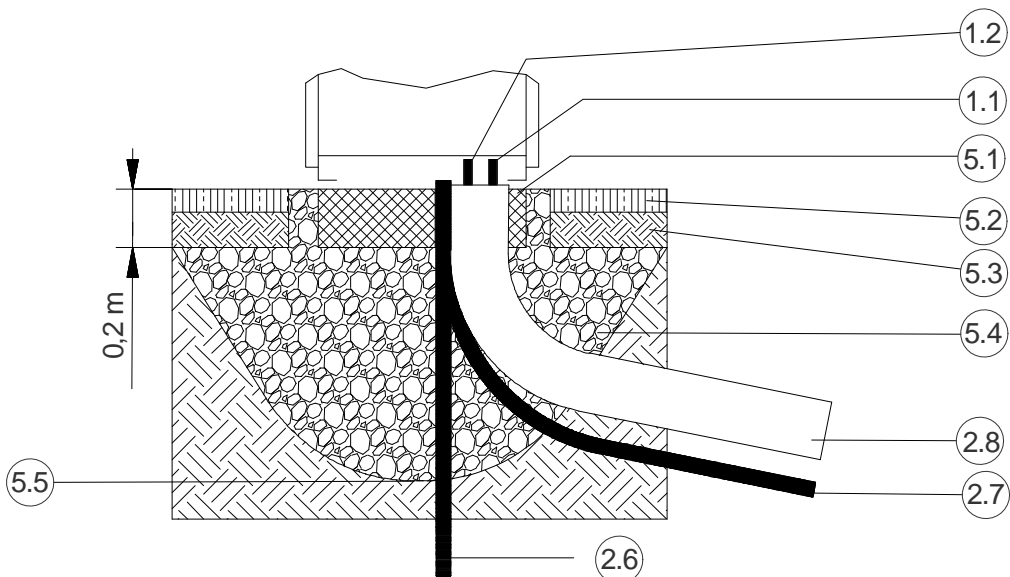
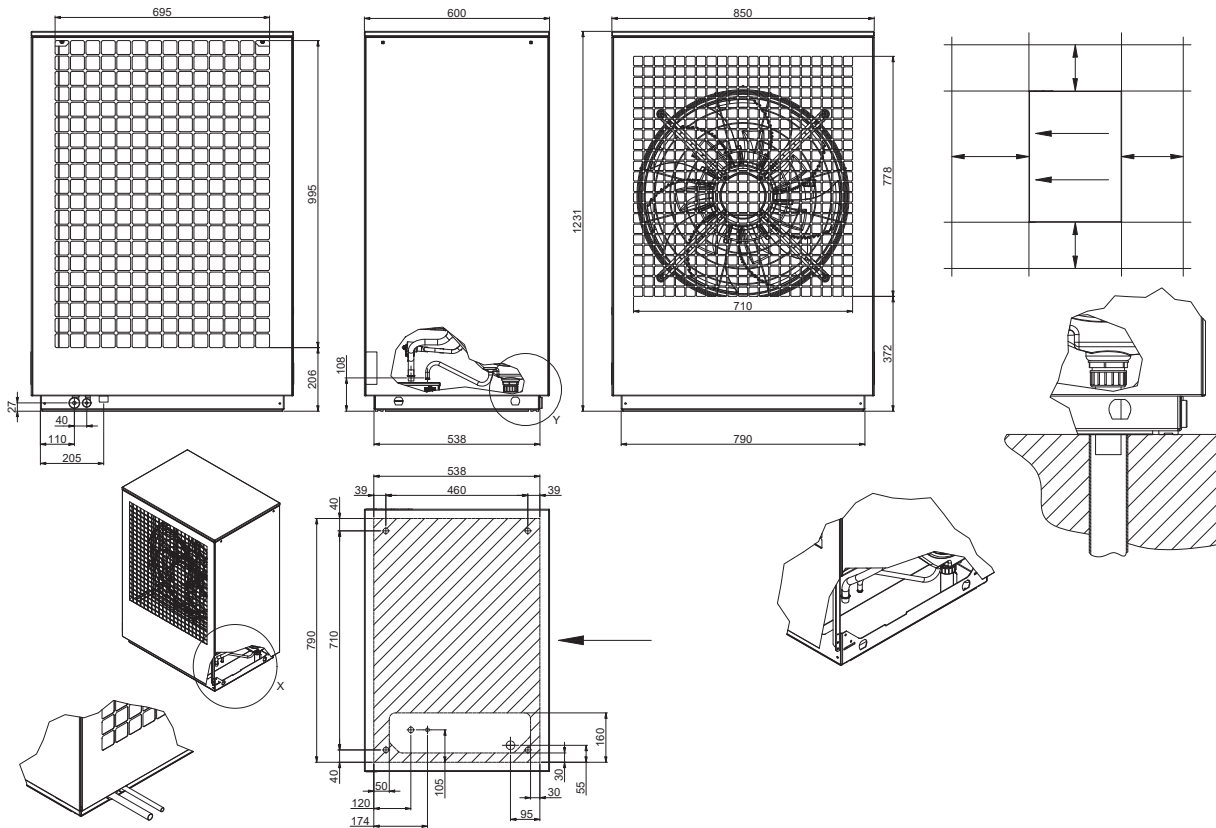


M Flex 0609HBC M



Glen Dimplex Thermal Solutions
 (Glen Dimplex Deutschland GmbH)
 Am Goldenen Feld 18
 D-95326 Kulmbach
 T: + 49 9221 709-100
 F: + 49 9221 709-339
 dimplex@dimplex.de
 www.dimplex.de

Glen Dimplex Austria GmbH
 Hauptstraße 71
 A-5302 Henndorf am Wallersee

T: + 43 6214 20330
 F: + 43 6214 203304
 info@dimplex.at
 www.dimplex.at

M Flex 0609HBC M

1. Hydraulic connections

1.1 Flow

1.2 Return

1.11 Flow (optional)

1.21 Return (optional)

1.3 Domestic hot water flow

1.4 Hot water return

1.5 Heat source flow

1.6 Heat source return

1.7 Filling and drain cock

1.8 Combined heating/domestic hot water return

2. Feed-throughs/pipes

2.1 Feed-through - condensate pipe

2.2 Feed-through - electric wire

2.11 Feed-through condensate pipe (optional)

2.21 Feed-through electric wire (optional)

2.5 Condensate drain

2.6 Condensate pipe

2.7 Electric empty conduit

2.8 District heating pipe

3. Transport/operation

3.1 Ring bolt for crane transport

3.2 Transport tunnel

3.3 Transport opening for carrier pipe

3.4 Operator side

4. Air circuit

4.1 Direction of air flow

4.2 Main wind direction with free-standing installation

4.3 Air inlet

4.4 Air outlet

4.31 Air inlet (optional)

4.41 Air outlet (optional)

5. Foundation

5.1 Foundation

5.2 Green field

5.3 Earth

5.4 Layer of gravel

5.5 Frost line

5.6 Contact surface floor frame (all-round)



Glen Dimplex Thermal Solutions T: + 49 9221 709-100
(Glen Dimplex Deutschland GmbH) F: + 49 9221 709-339
Am Goldenen Feld 18 dimplex@dimplex.de
D-95326 Kulmbach www.dimplex.de

Glen Dimplex Austria GmbH T: + 43 6214 20330
Hauptstraße 71 F: + 43 6214 203304
A-5302 Henndorf am Wallersee info@dimplex.at
www.dimplex.at

M Flex 0609HBC M

Notes:

The condensate pipe must lead to the drainage facilities. The frost line can vary according to the climatic region.

The regulations of the countries in question must be observed. For unprotected free-standing installation, heat pumps without deflector hoods must be installed at right angles to the main wind direction.

Depending on the heat pump type, not all points of the legend are included in the drawing.



Glen Dimplex Thermal Solutions T: + 49 9221 709-100
(Glen Dimplex Deutschland GmbH) F: + 49 9221 709-339
Am Goldenen Feld 18 dimplex@dimplex.de
D-95326 Kulmbach www.dimplex.de

Glen Dimplex Austria GmbH T: + 43 6214 20330
Hauptstraße 71 F: + 43 6214 203304
A-5302 Henndorf am Wallersee info@dimplex.at
www.dimplex.at