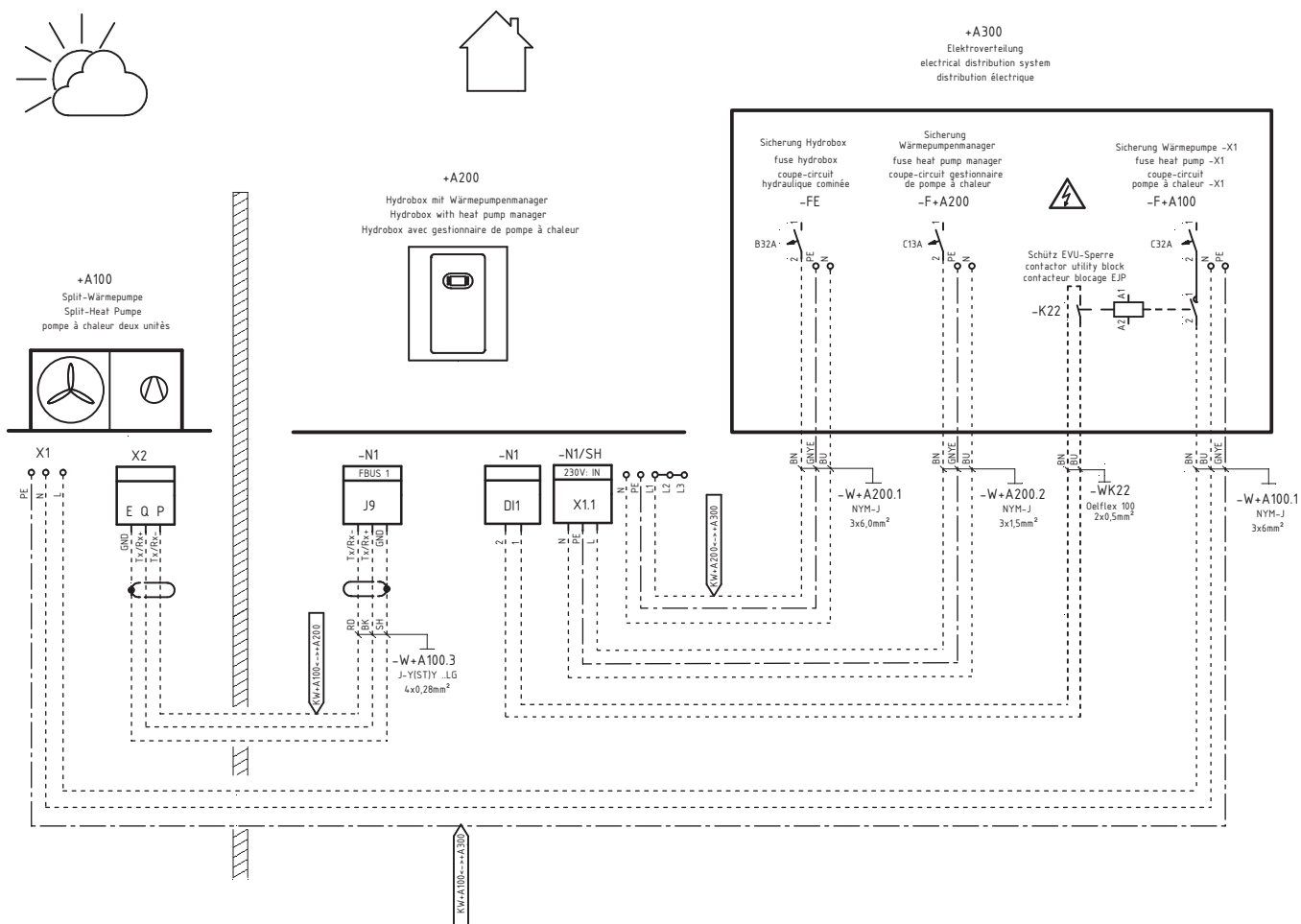


Luft-Wasser-Wärmepumpe

LIA 1316HXCF M

1

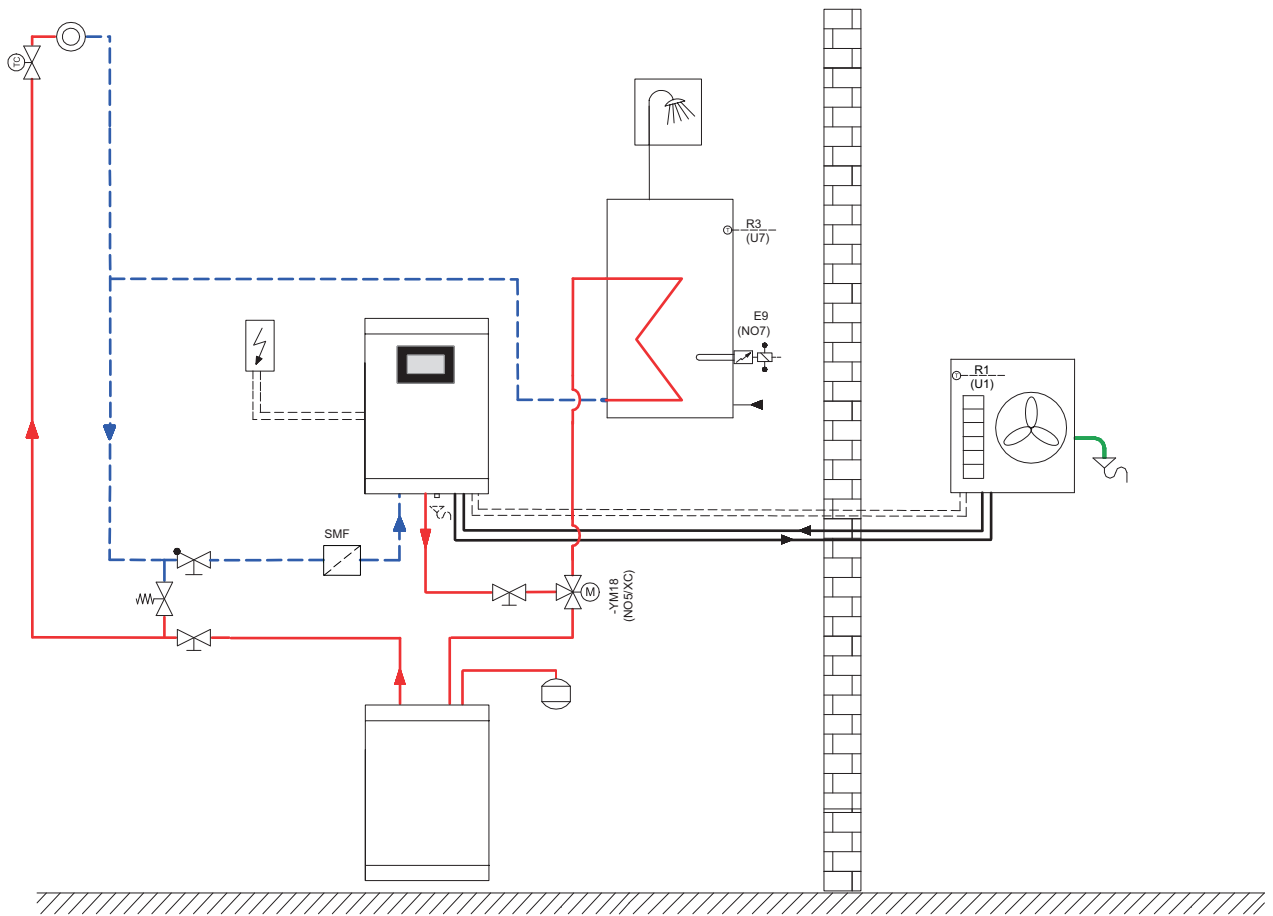
electrical layout





2

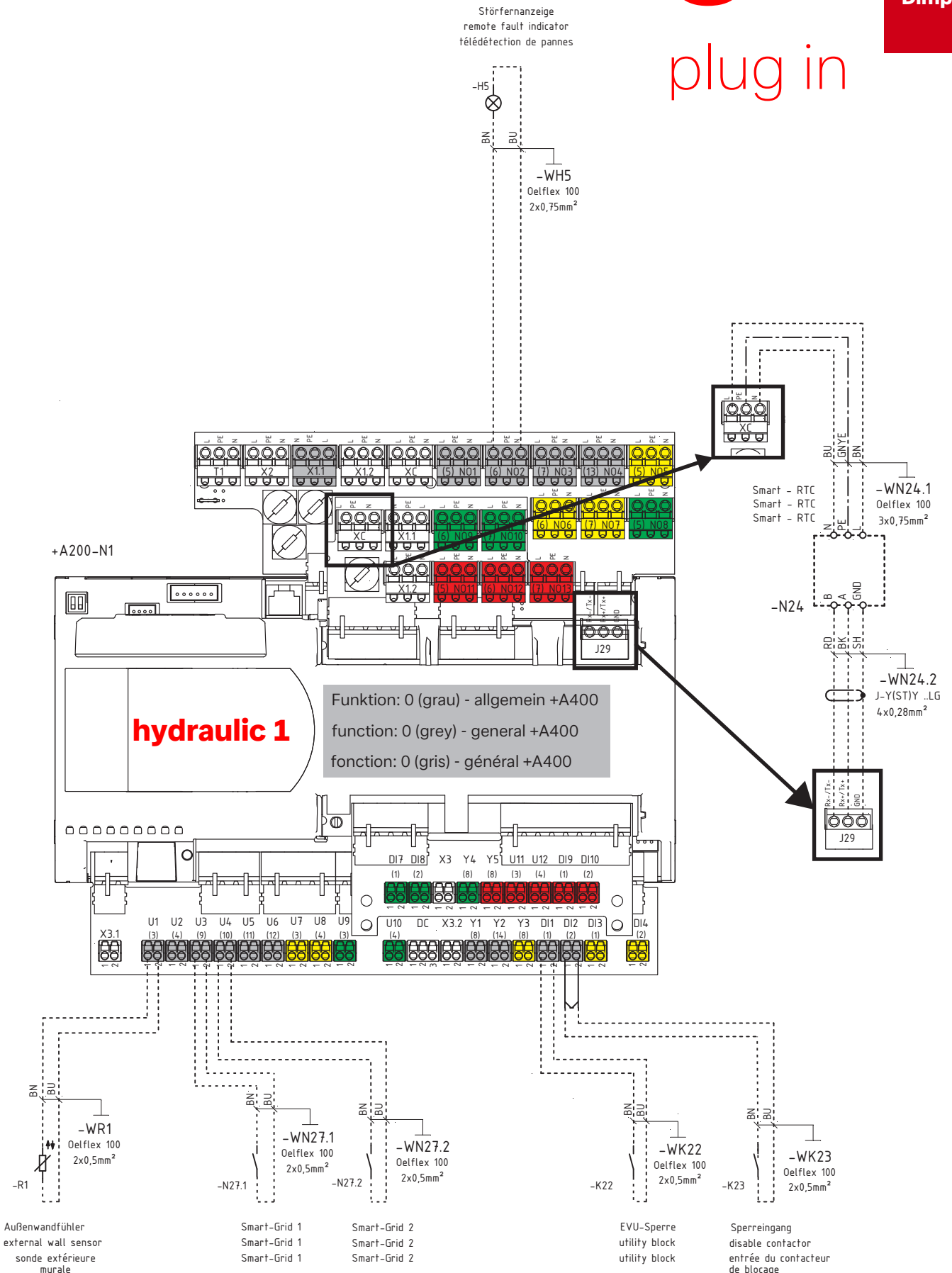
hydraulic



hydraulic 1

3

plug in





Relais Flanschheizung -E9
relays flange heater -E9
relais cartouche chauffante -E9

Umschaltventil Warmwasser
reversing valve domestic hot water
vanne d'inversion eau chaude sanitaire

